



PHABRIX®
broadcast excellence



PHABRIX SxTAG / TAG-C

CONFIGURED AS AN ENTRY LEVEL PORTABLE ANALYZER, THE TAG/TAG-C CAN BE EASILY UPGRADED USING A RANGE OF SOFTWARE OPTIONS TO PROVIDE A SOPHISTICATED INSTRUMENT FOR TESTING BROADCAST INFRASTRUCTURES.

The PHABRIX® TAG has been created to incorporate new interfaces that appeal to customers looking for a cost effective entry into professional test and measurement.

The PHABRIX® TAG includes support for SD-SDI and HD-SDI as standard with the option to upgrade to 3G-SDI (Level A and Level B).

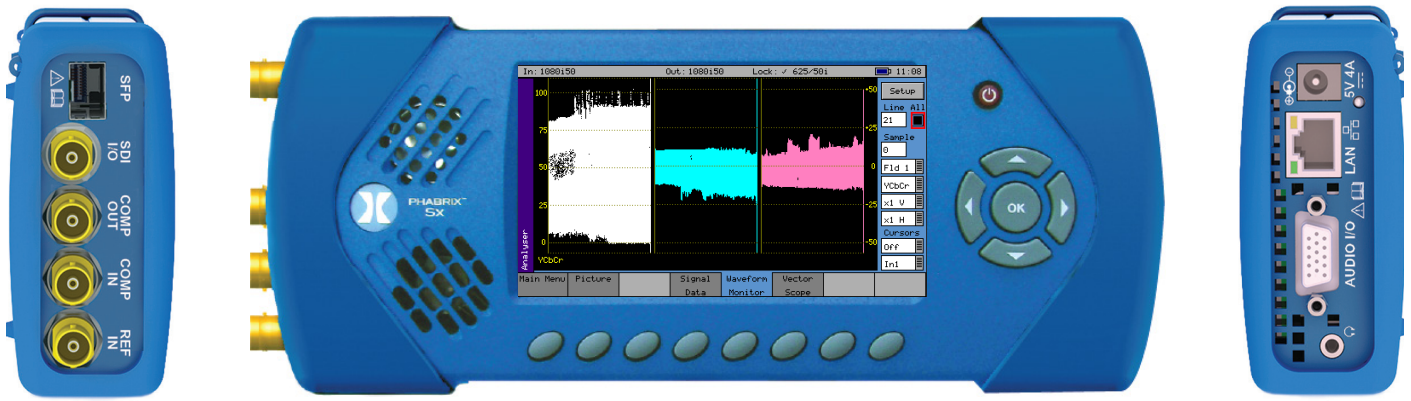
Composite Analysis and Generation has been incorporated to support those regions making the transition between analog and digital television.

An SFP cage has been integrated into the design principally for optical infrastructure testing, however, the cage will support a wider range of SFPs as they become available. Composite locking reference generation and input reference waveform analysis have also been included.

For audio support the PHABRIX® TAG provides a D15 breakout connector providing both balanced analog and AES input/output. AES waveform display allows a visual check of levels and reference lock. Advanced audio features including Dolby® E, Dolby® Digital and Dolby® Digital Plus are supported allowing the TAG/TAG-C to be considered as a replacement for the discontinued Dolby® DM100.

FEATURES HIGHLIGHTS

- MULTI FORMAT ANALYZER / MONITOR
- ANALOG COMPOSITE: PAL-I, PAL-N, PAL-N (ARG), PAL-M, NTSC-M, NTSC-M (JP)
- HD-SDI, SD-SDI & AES AS STANDARD
- HIGH QUALITY 16:9 PICTURE MONITOR
- WAVEFORM MONITOR / VECTORSCOPE
- REFERENCE WAVEFORM VIEW, AES VIEW
- 16 CHANNEL AUDIO METERING
- BALANCED ANALOG AUDIO I/O
- DUAL SFP CAGE FOR SDI-OPTICAL
- COMPREHENSIVE STATUS LOGGING
- BLACK BURST OR 75% BARS REFERENCE OUT
- SDI GENERATOR OPTION (included in SxTAG-C)
- 3G-SDI AND 2K FORMAT OPTIONS
- SIGNAL DATA ANALYSIS OPTION
- DOLBY BIT STREAM OPTIONS AVAILABLE
- SUPERIOR EASE OF USE
- RUGGED RELIABILITY
- ETHERNET BASED REMOTE OPERATION
- BATTERY AND AC ADAPTER POWER
- FULL RANGE OF Sx SOFTWARE OPTIONS



MONITOR

Display Resolution 480 x 272 pixels auto scaling
 Display Type 16:9 24 bit color TFT
 Display Size 95 x 54 mm

SDI VIDEO INPUT/OUTPUT

SDI Formats SD-SDI, HD-SDI, (3G-SDI Option)
 See www.phabrix.com for supported SMPTE formats

SDI Input/Output 1 x 75 Ohm BNC
 EDH Yes (SD-SDI)

REFERENCE INPUT/OUTPUT

Genlock Bi/Tri/SDI with cross lock
 Ref Generator Bi-level PAL/NTSC +/- 5ppm
 Generator Timing 0 to 1 Frame WRT source
 Reference Output Black Burst or 75% Bars PAL/NTSC

COMPOSITE INPUT/OUTPUT

Composite Formats PAL-I, PAL-N, PAL-N (ARG), NTSC-M, NTSC-M (JP)
 Composite Input 1 x 75 Ohm BNC
 Composite Output 1 x 75 Ohm BNC

SFP INPUT/OUTPUT

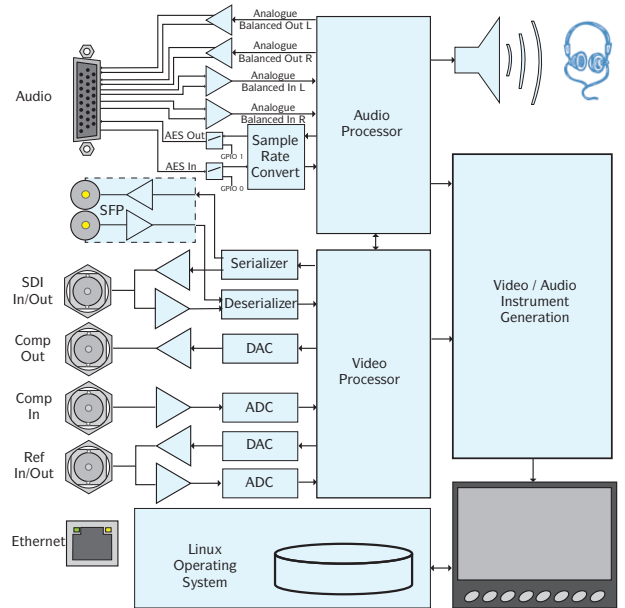
Interface Single Tx, Single Rx or Transceiver (Non-MSA)
 Module Types SDI Fiber or SDI Coaxial
 See www.avbbcorp.com for supported modules

AUDIO

Internal speaker Audio DAC 0.5 watts
 Headphone Socket 24 bit stereo 3.5 mm with auto line out
 Generator/Monitor 48 kHz 20-bit (SD-SDI) 24-bit (HD-SDI)
 Metering 16 channel PPM
 AES output 75 Ohm AES Pair via 15-way D-type
 AES input 75 Ohm AES Pair via 15-way D-type
 Analog output Balanced stereo pair via 15-way D-type
 Analog input Balanced stereo Pair via 15-way D-type

GENERAL

Navigation Panel 5 menu keys, 8 custom select
 Integral Battery Supply 2-3 hours Lithium Polymer
 Internal Storage 2 GB
 Remote Control Web Browser Interface
 Ethernet Web server, Remote control (TCP/IP Sockets)
 Carry Case Included
 AC Power Supply Included (universal)
 Security Kensington™ lock fitting
 Weight 900g
 Size H: 92mm W: 225mm D: 42mm



Schematic of the PHABRIX TAG



Carry case and AC power supply as standard



PHABRIX SFPs sold separately

ORDERING INFORMATION

Hardware
 Product code PHSXTAG

Options

Please see separate options sheet for available engineering upgrade features.



(55) 9180 3655

ventas@inceleris.com

Incelaris.com.mx